



C6160

Medium to large workgroup
colour laser printer



Look sharp
for less with
gorgeous colour



Speed for
productivity with
the functionality
and reliability
you need



Workflow
smoothing solutions
and flexibility



Sensitive data
stays secure



Cut costs while
being environmentally
responsible



Lexmark™

Get more power and save money



Save time with the C6160's integrated software and solutions. Stay productive with print speeds that are fast enough to keep work moving. Stay looking sharp with gorgeous colour.

- ▶ Brilliant colour in an affordable, space-saving device
- ▶ Up to 57 pages per minute⁵ print speeds
- ▶ Spend less time on supplies with high-yield toner capacity and shake-free science
- ▶ Expandable input trays

Speed for productivity with the functionality and reliability you need

Productivity stays high when even large colour print jobs complete quickly. With copier-like print speeds of up to 57 ppm the C6160 keeps you moving.

Minimise wait time when your job is complete before you even leave your chair with the C6160's ability to print a single colour page in as little as 7 seconds

Power through complex print jobs with large, high-resolution photos and graphics. The powerful print controller has the processing power you need built-in.

Work from wherever, print where you want with mobile printing from iOS, Android and Windows Mobile devices, and optional wireless and NFC direct mobile printing from smartphones and tablets. The C6160de is also Google Cloud Print, Apple Airprint 1.5 and Mopria ready.

Better access for all with drawers and paper guides that move effortlessly, and standard headphone jack and talk-back features to help users with limited vision engage with the device*

* Meets advanced Section 508 and European Standard EN 301 549 guidelines for accessibility available June 2016.



Look sharp for less with gorgeous colour

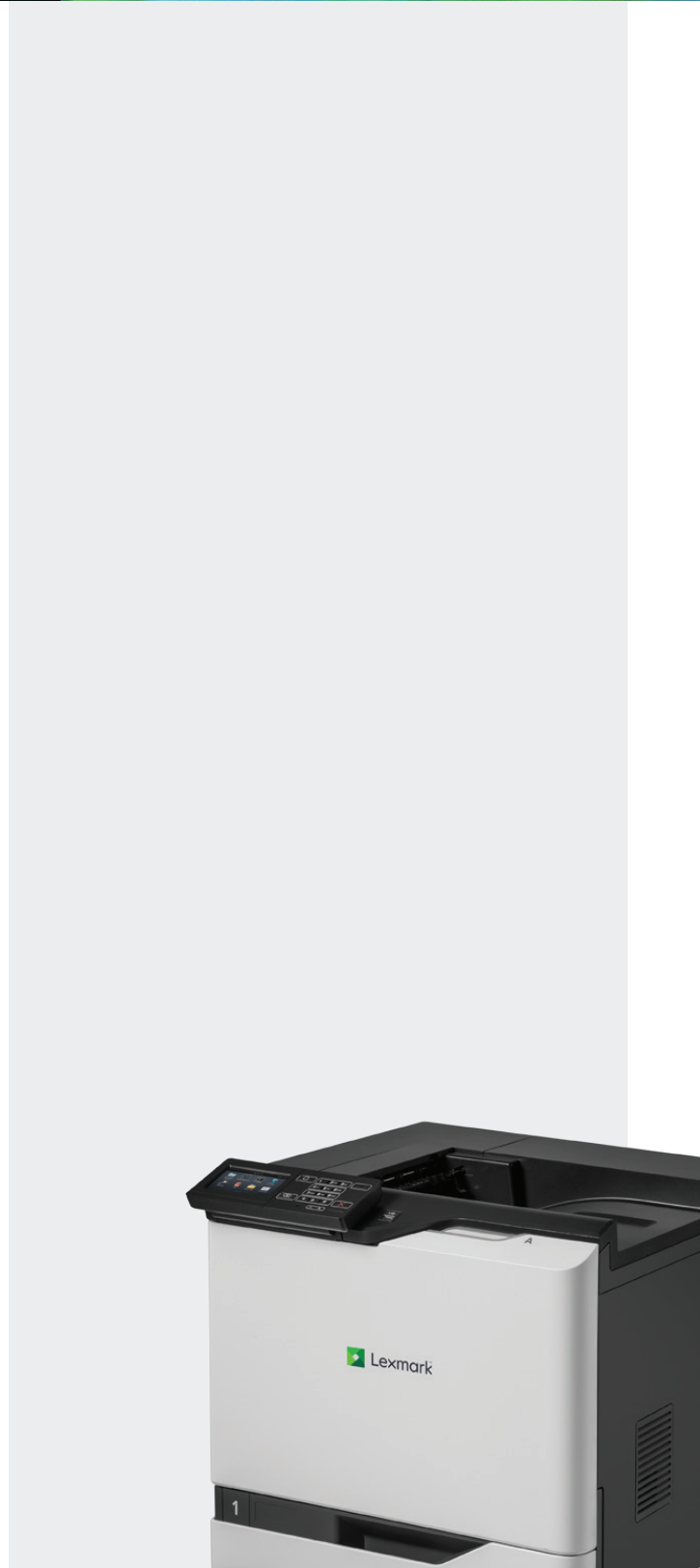
Colour so accurate and affordable, you can print colour in-house. You can match all of your brand colours and have accurate colour output without having to pay a premium. Lexmark Colour Replacement combines spot colour replacement and RGB replacement for precision matching of critical colours. PANTONE® calibration and embedded colour sample pages to help you nail perfect colour at the design stage. Lexmark's 4800 colour quality is ultra-sharp even at full speed.

More media choices makes your colour laser printer multi-talented. From 300 gsm—one of the thickest media available in cut sheet, to print signage or booklet covers—to tissue-thin paper such as 70 gsm, and all the vinyl, labels, cardstock, envelopes, and banners in between, the C6160 makes you shine.

Less hassle with a high input capacity of up to 4,500 sheets maximum input capacity. Paper is less likely to run out, so you don't have to wait or intervene to finish printing.

Improve your productivity with the C6160 that keeps on running

- ▶ Toner cartridges yield up to 20,000 pages¹
- ▶ Photoconductor lasts up to 175,000 pages⁶
- ▶ Developer unit lasts up to 150,000 pages⁶
- ▶ No shake Unison™ Toner cartridges mean perfect prints to the last page without interruption



Workflow smoothing solutions and flexibility

Bridge the gap between your paper documents and software systems with the fully-configurable device-based apps available on the Lexmark C6160. The built in productivity solutions future-proof your investment.

1

Standard device-based apps shipping with this series include*:



Google Drive

The easy way to print shared Google docs on demand.



Customer Support

Send email alerts to help desk or service providers to request support. Pertinent data about the device can be included in the automated email.



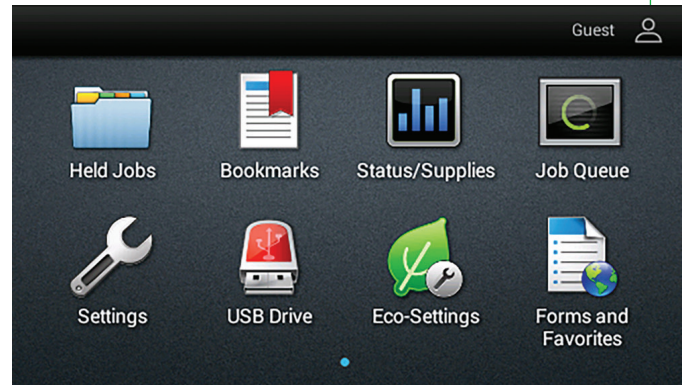
QR Code Generator

Generate a Quick Response (QR) Code and display it on the eTask screen, making it easy to find the printer on your tablet or smartphone.



Forms and Favourites

Keep frequently used forms and documents easy to access and save money by eliminating preprinted forms.



See the possibilities with our intuitive interface

Minimise the need for training with the familiar modern tablet-like capabilities of our eTask interface on a bright 10.9 cm (4.3-inch) colour touch screen. Use swipe and touch gestures to navigate the intuitive interface to access convenient features, including:

- ▶ Preview your entire print job
- ▶ Print Microsoft Office and other file types from USB or mobile devices
- ▶ Customise shortcuts and bookmarks
- ▶ Realise your return on investment fast with true integration
- ▶ Access corporate address book for quick document routing
- ▶ Enable user tracking, accounting and permissions for cost and print management

*Additional device-based apps may ship with the device and additional apps can be added.

C6160



- 1. Intuitive colour touch screen with new eTask interface** A bright 10.9 cm (4.3-inch) screen uses familiar swipe and touch gestures, minimising training time to get users up to speed.



- 2. Direct printing** Microsoft Office files and other document and image types print right from flash drives. You can even preview jobs on the eTask screen prior to printing.



- 3. Unison™ Toner system with long-life supplies** Unison™ Toner delivers consistently outstanding image quality plus long-life system reliability and amazing sustainability in a high-yield, no-shake design.



- 4. In-line stapler** This unique finishing option gives your printer even more functionality.



- 5. Software solutions** Combine device-based app capabilities with additionally purchased Lexmark fleet management tools and your existing software and technical infrastructure to form the Lexmark smart MFP ecosystem. Its adaptability future-proofs your investment in Lexmark colour laser technology.



- 6. Expandable input and output** Print on multiple paper types and boost input capacity to 4,500 sheets.

Sensitive data stays secure

Authorise and authenticate who and what gets access to your network along with remote monitoring and management.

Protect your device on all fronts with port and connection filtering to limit active access and encryption and wiping of the optional hard disk to secure sensitive print job data. Digital signatures on firmware updates keep hackers at bay.

Authentication to fit your protocols from badge readers, PIN or passwords. Once users are authenticated, the connection to your network is fully secure.

Put a stop to data leaks on the standard hard disk with 256-bit AES encryption and encryption keys stored in the printer memory, not the hard disk. Data is almost impossible to read if the hard drive is removed.

Cut costs while being environmentally responsible

Save power with multiple power saving modes. Sleep mode uses less than 3.5 watts between jobs. Hibernate mode uses less than half a watt during scheduled on/off periods.

Save paper and toner with standard double-sided printing, printing images and graphics a lighter shade with the ColourSaver feature that still leaves text dark and readable and the Eco Settings solution are just some of the eco-friendly options.

Smarter toner saves energy and more. Lexmark Unison™ Toner fuses at a lower temperature that requires less energy. Through free and easy Lexmark Cartridge Collection Programme (LCCP) ship empty cartridges back to recycling centres for sustainable recycling.



Lexmark Sustainability

For Lexmark, commitment to the environment isn't a marketing tagline, it's a core value backed up by real action and results. We are forward thinking, innovative, and driven to sustain a healthy planet for generations to come. For our customers and partners we bring this passion, our leading technology and a deep understanding of industry-specific business processes to continuously improve their efficiency as well as our own.

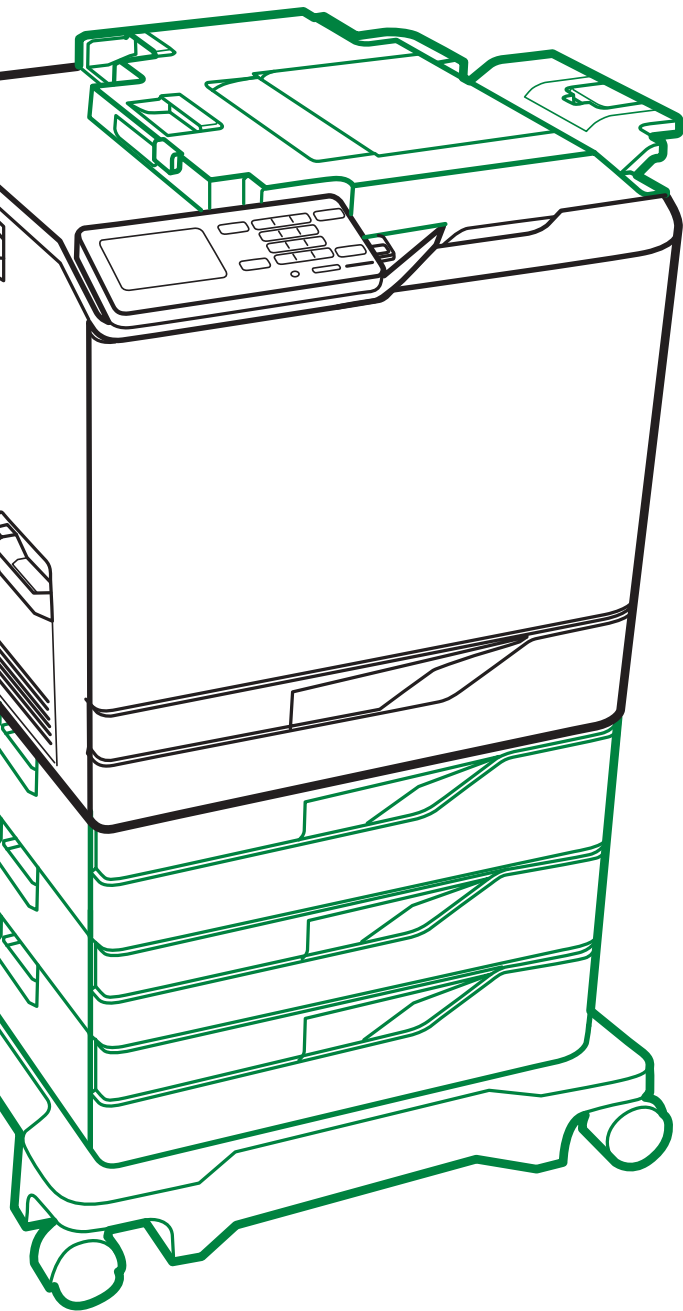
Lexmark products meet globally recognised environmental standards*.

- ▶ Energy Star™
- ▶ Blue Angel
- ▶ EPEAT™

For more information on Lexmark's sustainability initiatives, visit csr.lexmark.com

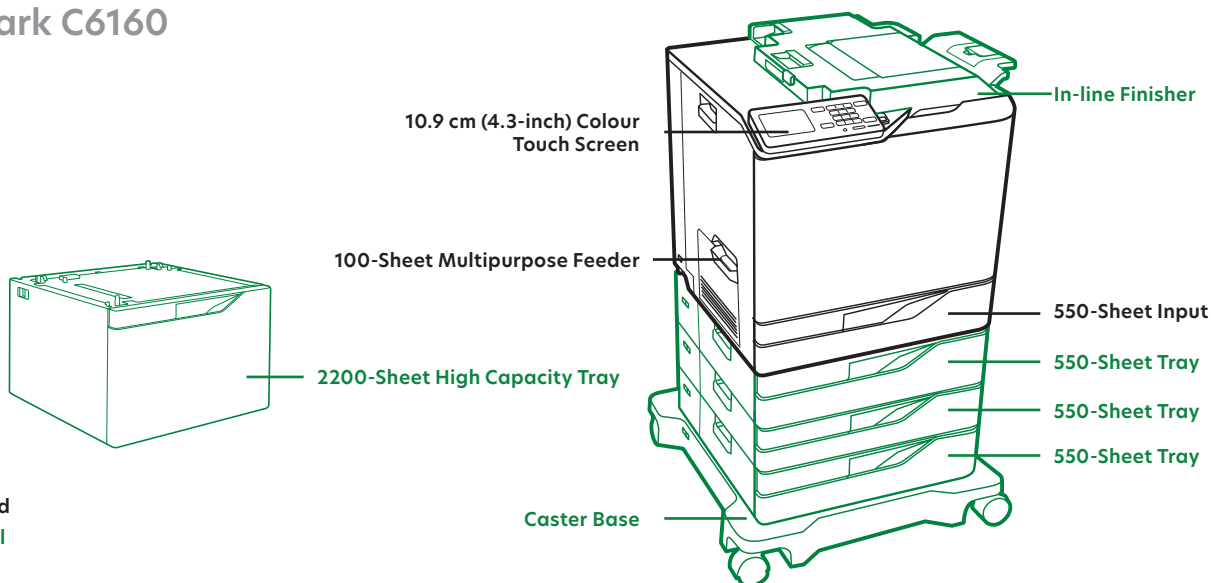
* Energy Star V2.0 for Imaging Equipment (EU RoHS and Section 4.3.1.1 of IEEE 1680.2-2).

Ordering information.



P/N	Model
21K0309	Lexmark C6160
Laser toner/print cartridge	
24B5998	C6160 Black Toner Cartridge
24B5995	C6160 Cyan Toner Cartridge
24B5996	C6160 Magenta Toner Cartridge
24B5997	C6160 Yellow Toner Cartridge
72K0DK0	Black Return Programme Developer Unit
72K0DC0	Cyan Return Programme Developer Unit
72K0DM0	Magenta Return Programme Developer Unit
72K0DY0	Yellow Return Programme Developer Unit
72K0DV0	Colour (CMY) Return Programme Developer Kit
72K0P00	Photoconductor - 1 Pack
72K0Q00	Photoconductor - 3 Pack
72K0W00	Waste Toner Bottle
72K0FK0	Black Return Program Developer and Photoconductor Unit Pack
72K0FV0	Colour (CMY) Return Program Developer Kit and Photoconductors Pack
25A0013	3-Pack Finisher Staples
Paper handling	
21K0567	550-Sheet Tray
21K0237	2200-Sheet Tray
42K2000	CS/CX820 Staple Finisher
Memory options	
57X9022	2GB DDR3 SO-DIMM (x64)
57X9801	256MB User Flash
Hard Disk	
27X0400	320+GB Hard Disk Drive
Furniture	
21K2501	Caster Base
Furniture	
57X7020	CX82x/86x Keyboard Kit - English
Firmware Cards	
21K0127	Forms and Bar Code(FMBC) eMMC Card
21K0128	IPDS eMMC Card
21K0129	PRESCRIBE eMMC Card
DBCS Font Cards	
57X9810	Traditional Chinese Font Card
57X9812	Simplified Chinese Font Card
57X9814	Korean Font Card
57X9815	Japanese Font Card
Wireless Print Server	
27X0309	Lexmark MarkNet 8360 802.11b/g/n/a Wireless Print Server plus Bluetooth, NFC, Dual Band
Local Interface Cards	
14F0100	RS-232C Serial Interface Card
14F0000	Parallel 1284-B Interface Card
Security	
57X0085	Lexmark Security Module
Cables	
1021231	Parallel Cable (10 ft.)
1021294	USB 2.0 Cable (2m)
Connectivity / Accessories	
SPD0002	Surge Protection Device HV

Lexmark C6160



Standard
 Optional

Product specifications	Lexmark C6160
Printing	
Display	Lexmark e-Task 10.9 cm (4.3-inch) colour touch screen
Print Speed: Up to ⁵	Black: 57 ppm / Colour: 57 ppm
Time to First Page: As fast as / Time to First Page: as fast as	Black: 7 seconds / Colour: 7 seconds
Print Resolution	Black: 1200 x 1200 dpi, 4800 Colour Quality (2400 x 600 dpi) / Colour: 1200 x 1200 dpi, 4800 Colour Quality (2400 x 600 dpi)
Memory	standard: 1024 MB / maximum: 3072 MB
Hard Disk	Option available
Recommended Monthly Page Volume ²	2,500 - 25,000 Pages
Maximum Monthly Duty Cycle: Up to ³	200,000 pages per month
Supplies⁷	
Laser Cartridge Yields (up to) ¹	20,000-page Black Extra High Yield Cartridge, 20,000-page Colour (CMY) Extra High Yield Cartridges
Photoconductor Estimated Yield: Up to ⁶	175,000 pages, based on 3 average letter/A4-size pages per print job and ~ 5% coverage
Cartridge(s) Shipping with Product ⁸	8,000-page Black and Colour (CMYK) Return Programme Toner Cartridges
Paper Handling	
Included Paper Handling	550-Sheet Input, 100-Sheet Multipurpose Feeder, Integrated Duplex, 500-Sheet Output Bin
Optional Paper Handling	550-Sheet Tray, Inline Stapler, 2,200-Sheet Tray
Paper Input Capacity: Up to	Standard: 650 pages 75 gsm bond / Maximum: 4,500 pages 75 gsm bond
Paper Output Capacity: Up to	Standard: 500 pages 75 gsm bond / Maximum: 500 pages 75 gsm bond
Media Types Supported	Card Stock, Dual Web Labels, Envelopes, Labels, Plain Paper, Polyester Labels, Vinyl Labels, Refer to the Card Stock & Label Guide., Banner Paper
Media Sizes Supported	10 Envelope, 7 3/4 Envelope, 9 Envelope, A4, A5, B5 Envelope, C4 Envelope, C5 Envelope, DL Envelope, Index Card, Executive, Folio, JIS-B5, Legal, Letter, 4 x 6", Statement, Universal, Oficio, A6
General Information⁴	
Standard Ports	One Internal Card Slot, USB 2.0 Specification Hi-Speed Certified (Type B), Gigabit Ethernet (10/100/1000), Front USB 2.0 Specification Hi-Speed Certified port (Type A), Two Rear USB 2.0 Specification Hi-Speed Certified ports (Type A)
Optional Network Ports	Internal MarkNet N8360 802.11b/g/n Wireless, NFC
Noise Level: Operating	Print: 56 dBA
Specified Operating Environment	Humidity: 15 to 80% Relative Humidity, Temperature: 10 to 32°C, Altitude: 0 - 2,896 Metres (9,500 Feet)
Size (mm - H x W x D) / Weight	535.9 x 558.8 x 522.4 mm / 62.3 kg

¹Average yield at approximately 5% print coverage per colour. ²Recommended Monthly Page Volume² is a range of pages that helps customers evaluate Lexmark's product offerings based on the average number of pages customers plan to print on the device each month. Lexmark recommends that the number of pages per month be within the stated range for optimum device performance, based on factors including: supplies replacement intervals, paper loading intervals, speed, and typical customer usage. ³Maximum Monthly Duty Cycle³ is defined as the maximum number of pages a device could deliver in a month using a multishift operation. This metric provides a comparison of robustness in relation to other Lexmark printers and MFPs. ⁴Printers are sold subject to certain license/agreement conditions. See www.lexmark.com/printerlicense for details. ⁵Print and copy speeds measured in accordance with ISO/IEC 24734 and ISO/IEC 24735 respectively (ESAT). For more information see: www.lexmark.com/ISOspeeds. ⁶Actual Yield may vary based on other factors such as device speed, paper size and feed orientation, toner coverage, tray source, percentage of black-only printing and average print job complexity. ⁷Product functions only with replacement cartridges designed for use in a specific geographical region. See www.lexmark.com/regions for more details. ⁸ Average continuous black or continuous composite CMY declared cartridge yield up to this number of standard pages in accordance with ISO/IEC 19798.