

Lexmark CS748de Colour laser printer



Vibrant colour printing for midsize workgroups



Colour



10.9 cm Touch
Screen



Solutions



Up to 33
ppm



Duplex



Network



Eco-Mode



Security



USB



Flexible Input

LEXMARK
TM



Why Lexmark?

Founded in 1991 from an IBM heritage in Lexington, Kentucky, Lexmark is one of the few American companies to own, develop and market inkjet, monochrome laser and colour laser print technologies. Lexmark is poised to deliver on its promise to produce quality, dependable products well into the future.

Lexmark CS748de Overview



Robust high-quality colour Rely on the Lexmark CS748de colour laser printer for the high-quality colour printing essential to business.

- Match corporate colours with Lexmark Named Colour Replacement and PANTONE® calibration.
- The high-speed processor and Gigabit Ethernet networking mean fast data transfer and fast processing, even on complex colour documents.
- Print quickly at speeds up to 33 ppm and a time to first page as fast as 9 seconds in both black and colour.
- Lexmark high-yield cartridges let you print up to 12,000 pages per cartridge in black and 10,000 pages per cartridge in colour.¹



Performance and productivity The combination of easy-to-use features and reliable performance means business processes are intuitive and you are productive.

- The easy-to-use 4.3-inch (10.9 cm) colour touch screen provides audible feedback and tablet-like navigation.
- Expand input capacity with optional drawers that boost total input capacity up to 4,300 sheets.
- Create custom messages to provide helpful information such as helpdesk telephone numbers and company communications.
- Instead of installing individual drivers for each printer model, the Lexmark Universal Print Driver provides a standardised, one-driver solution.



Business solutions The Lexmark Embedded Solutions Framework (eSF) helps expand functionality, move information more efficiently throughout your business, lower costs and

- Quickly and efficiently access eSF solutions directly from the 4.3-inch (10.9 cm) colour touch screen.
- The optional hard disk provides the ability to store files on the device and run additional solutions with ease.
- Pre-loaded solutions mean you can be productive and save time, money and paper - right out of the box.
- Additional solutions are available for greater savings and productivity.

¹ Based on approximately 5% print coverage. Yields may vary based on actual customer usage.



Why Lexmark colour?

The documents you print define an important image – yours. The Lexmark CS748de colour laser printer is perfect for printing reports, marketing collateral and on-demand signage with brilliant colour reproduction. So when you put a high-quality colour document in a client's hands, you're advancing communication and your company's image at the same time.



Professional colour quality Colour communicates, informs and persuades. Vibrant, expressive colour also attracts attention and increases impact. In short, colour is your brand – who you are. The Lexmark CS748de colour laser printer is a colour powerhouse. It offers repeatable, accurate colour matching and features that create continuity from one document to the next.

- **Easy brand matching** - Match corporate colours on marketing collateral and logos with Lexmark Named Colour Replacement. Simply enter specific colour values for easy colour matching, including company defined colours and PANTONE® colour.
- **Money-saving colour** - Colour is business critical, but often it is seen as expensive or wasteful. Lexmark ColourCare Technology helps change that perception. Tools like User Quotas help you manage and make intelligent decisions about colour printing.
- **Continuous colour** - Print with confidence, knowing the Lexmark CS748de produces documents at optimum quality. Status screens and supply alerts notify you when toner is low, so you don't run out in the middle of a job.



Professional colour performance Whether you need one document or many, consistency is important. The Lexmark CS748de colour laser printer delivers in all types of situations – last minute presentations, large print jobs for promotional events or constantly used forms. It can produce high-quality documents on a variety of media while helping you save money at the same time.

- **Consistent colour across media** - Lexmark colour technology gives you consistent, professional colour on a variety of media types and sizes. Carry a consistent look across materials and show clients your true colours, no matter what you present to them.
- **Print on demand** - Eliminate waste. Don't print forms, marketing materials or other documents externally and store the paper versions. Instead, with the Forms and Favorites solution, store frequently required files online and print in-house and on demand.
- **On-the-fly updates** - Create custom colour documents directly from the Lexmark CS748de. Use print preview and post-process job changes to make updates like removing a cover page or switching between simplex and duplex printing.

Lexmark CS748de Solutions

Reduce unnecessary printing and simplify work processes through Lexmark solutions. The Lexmark Embedded Solutions Framework (eSF) enables you to add a wide range of software apps directly onto the device. Solutions are designed with your productivity in mind, helping you streamline—or even eliminate—paper-intensive business processes.

Lexmark CS748de Built-in solutions

The following apps are available on the Lexmark CS748de colour laser printer.



Forms and Favorites

Eliminate waste and inefficiencies associated with preprinted forms. Rather than printing collateral externally and storing the paper versions, store frequently required files online. Then you can print them in-house and on demand.



Eco-Settings

Print responsibly, save money and reduce waste with little effort. Choose from multiple print settings that help reduce energy, paper and toner consumption, using custom Eco-Settings.



Showroom

Display a customisable, scrolling slideshow on the colour touch screen to communicate important messages to customers or employees while the device is in power save mode.



Change Background

Communicate to customers and employees and make the device truly your own. Customise the background or a timed idle screen to show one of the four preloaded backgrounds or any image you want, such as a photo or logo.



Lexmark CS748de Additional solutions

In addition to the solutions built into the device, a diverse portfolio of additional Lexmark solutions is available to help accommodate your workflow needs. The following are just a few examples.



Customer Support

Lets you send an e-mail alert to your help desk or service provider to request service or support. Pertinent information about the device can be automatically attached to the e-mail message.



QR Code Generator

This eSF application generates a Quick Response (QR) Code and displays it on the device User Interface.



Device Quotas

Allows the Administrator to configure user level quotas for Print, Scan, Copy, and Outbound Fax on devices with the optional hard disk.

Contact your Lexmark Business Solutions Dealer for additional solutions.

Lexmark CS748de Key features



Lexmark CS748de colour laser printer shown with the optional 550-sheet drawer, 2,000-sheet high capacity feeder and caster base.

Features that help you optimise your work



1) Easy brand matching
Consistently match branded colours and print marketing collateral in-house with Lexmark Named Colour Replacement.



2) Intuitive colour touch screen
Operate your printer with ease and confidence using the 4.3-inch (10.9 cm) colour touch screen that makes navigation smart and intuitive.



3) Convenient updates
Preview documents and change output settings, such as two-sided printing, directly at the device.



4) Flexible input capacity
With the optional 550-sheet drawer, specialty media drawer and 2,000-sheet high capacity feeder, customise input options to meet your printing needs.



5) Optional hard drive
The optional hard drive increases productivity with job waiting and on-printer form and file storage.



6) Use less energy
The instant warm-up fuser reduces energy consumption and delivers a time to first page as fast as 9 seconds in both black and colour.

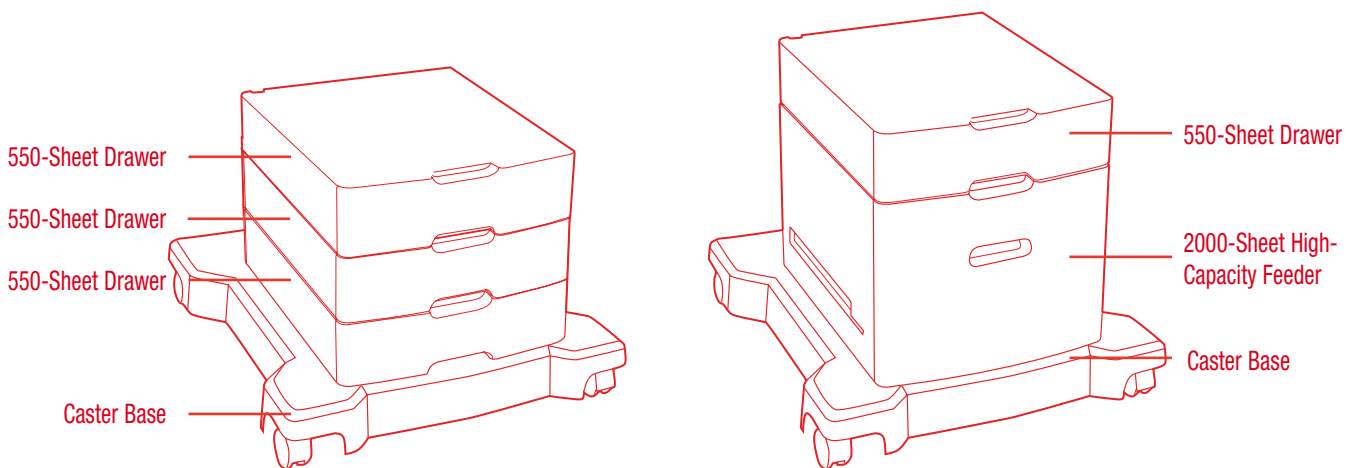
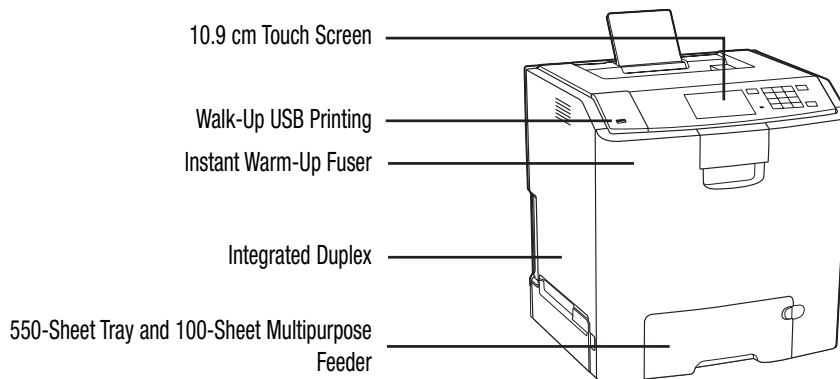


7) Walk-up USB printing
The front USB port allows for convenient walk-up printing of PDFs and many printable image file formats.



8) Multiple media support
Ultra-reliable paper feeding supports diverse media, including card stock, vinyl labels, banners and more.

Lexmark CS748de Ordering information



- Standard
- Optional

Compatible with Lexmark CS748de colour laser printer

Part #	Model	1025043	1024MB DDR2-DRAM	40X5152	Pick Tire, Specialty Media Drawer
3073911	Lexmark CS748de	14F0245	256MB Flash Card	40X8111	C74x, X74x Fuser Maintenance 220-240V
Part #	Laser Toner/Print Cartridge	27X0014	160+ GB Hard Disk	40X6307	C74x, X74x Transfer Belt Maintenance Kit
24B5578	CS748 Black High Yield Return Program Toner Cartridge	30G0287	Arabic Font Card		
24B5579	CS748 Cyan High Yield Return Program Toner Cartridge	30G0828	Japanese Font Card		
24B5580	CS748 Magenta High Yield Return Program Toner Cartridge	30G0825	Korean Font Card		
24B5581	CS748 Yellow High Yield Return Program Toner Cartridge	30G0826	S.Chinese Font Card		
C734X20G	Photoconductor Unit, 4-Pack (20K each)	30G0827	T.Chinese Font Card		
C734X24G	Photoconductor Unit, 4-Pack (20K each)				
C734X77G	Waste Toner Box (25K)	Part #	Application Solutions		
Part #	Paper Handling	57X9000	Lexmark PrintCryption Card		
27S2100	550-Sheet Drawer	41H0198	C748 Card for IPDS		
27S2400	2000-Sheet High Capacity Feeder	41H0199	C748 Card for PRESCRIBE Emulation		
27S2650	550-Sheet Specialty Media Drawer	41H0197	C748 Forms and Bar Code Card		
27S2190	4.8 inch (12.2 cm) Spacer	Part #	Connectivity		
Part #	Furniture	27X0030	MarkNet N8250 802.11b/g/n Wireless Print Server		
30S2765	Swivel Cabinet	14F0037	MarkNet N8120 Gigabit Ethernet Print Server		
34T5114	C74x, X74x Caster Base	1021294	USB (2 Meter) Cable		
Part #	Memory Options	14F0000	Parallel 1284-B Interface Card		
1025041	256MB DDR2-DRAM	1021231	Parallel (10') Cable		
1025042	512MB DDR2-DRAM	14F0100	RS-232C Serial Interface Card		
		Part #	User Replaceable Parts		
		40X5168	Pick Tire		

Lexmark CS748de Product specifications



Product specifications

Lexmark CS748de

Printing	
Display	Lexmark e-Task 4.3-inch (10.9 cm) colour touch screen with audible feedback
Print Speed: Up to	Black: 33 ppm / Colour: 33 ppm
Time to First Page: As fast as	Black: 9 seconds / Colour: 9 seconds
Print Resolution, Colour	1200 x 1200 dpi, 4800 Colour Quality (2400 x 600 dpi)
Processor	800 MHz
Memory	Standard: 512 MB / Maximum: 1536 MB
Hard Disk	Option available
Recommended Monthly Page Volume ²	2500 - 10000 Pages
Maximum Monthly Duty Cycle: Up to ³	100000 pages per month
Supplies	
Supplies Yield	10,000 ¹ -page Colour High Yield Toner Cartridges (CMY), 12,000 ¹ -page Black High Yield Toner Cartridge
Cartridge(s) Shipping with Product	10,000 ¹ -page Colour (CMY) High Yield Return Program Toner Cartridges, 12,000 ¹ -page Black High Yield Return Program Toner Cartridge
Paper Handling	
Paper Handling Standard	300-Sheet Output Bin, Integrated Duplex, 100-Sheet Multipurpose Feeder, 550-Sheet Input Tray
Paper Handling Optional	550-Sheet Drawer, 2,000-Sheet High Capacity Feeder, 550-Sheet Specialty Media Drawer
Paper Input Capacity: Up to	Standard: 650 pages 75 gsm bond / Maximum: 4300 pages 75 gsm bond
Paper Output Capacity: Up to	Standard: 300 pages 75 gsm bond / Maximum: 300 pages 75 gsm bond
Media Types Supported	Card Stock, Envelopes, Paper Labels, Plain Paper, Transparencies, Vinyl Labels, Refer to the Card Stock & Label Guide
Media Sizes Supported	10 Envelope, 7 3/4 Envelope, 9 Envelope, A4, A5, B5 Envelope, C5 Envelope, DL Envelope, B5, Executive, Folio, JIS-B5, Legal, Letter, Statement, Universal, Oficio, A6
General	
Standard Ports	USB 2.0 Specification Hi-Speed Certified (Type B), Front USB 2.0 Specification Hi-Speed Certified port (Type A), Rear USB 2.0 Specification Hi-Speed Certified port (Type A), Ethernet 10/100/1000 BaseTX (RJ-45)
Optional Network Ports	Internal MarkNet™ N8120 Gigabit Ethernet, Internal MarkNet™ N8250 802.11b/g/n Wireless
Optional Local Ports	Internal RS-232C serial, Parallel 1284-B Interface Card
Print Noise Level, Operating	55 dBA
Energy Star	Yes
Specified Operating Environment	Temperature: 16 to 32°C (60 to 90°F), Humidity: 8 to 80% Relative Humidity, Altitude: 0 - 3048 Meters (10,000 Feet)
Size (mm. - H x W x D) / Weight (kg)	455 x 435 x 400 mm / 25.6 kg

¹ Based on approximately 5% print coverage. Yields may vary based on actual customer usage.

² "Recommended Monthly Page Volume" is a range of pages that helps customers evaluate Lexmark's product offerings based on the average number of pages customers plan to print on the device each month. Lexmark recommends that the number of pages per month be within the stated range for optimum device performance, based on factors including: supplies replacement intervals, paper loading intervals, speed, and typical customer usage.

³ "Maximum Monthly Duty Cycle" is defined as the maximum number of pages a device could deliver in a month using a multishift operation. This metric provides a comparison of robustness in relation to other Lexmark printers and MFPs.