



XC4150

Powerful colour A4 multifunction device in a compact design



Look sharp for less with gorgeous colour



Speed for productivity with the functionality and reliability you need



Workflow smoothing solutions and flexibility



Sensitive data stays secure



Cut costs while being environmentally responsible



Lexmark™

Get more power and save money



Save time with the XC4150's integrated software and solutions. Stay productive with print and scanning speeds fast enough to keep work moving. Look professional with gorgeous colour.

- ▶ Brilliant colour in an affordable, space-saving device
- ▶ Up to 47 pages per minute¹ print speeds
- ▶ Spend less time on supplies with high-yield toner capacity and shake-free science
- ▶ Expandable universal input trays

Speed for productivity with the functionality and reliability you need

Productivity stays high when even large colour print jobs complete quickly. Thanks to print speeds of up to 47 ppm.

Minimise wait time with XC4150's ability to print a single colour page in as little as 5 seconds. Convenient direct printing from flash drives, network drives or online servers save you even more time.

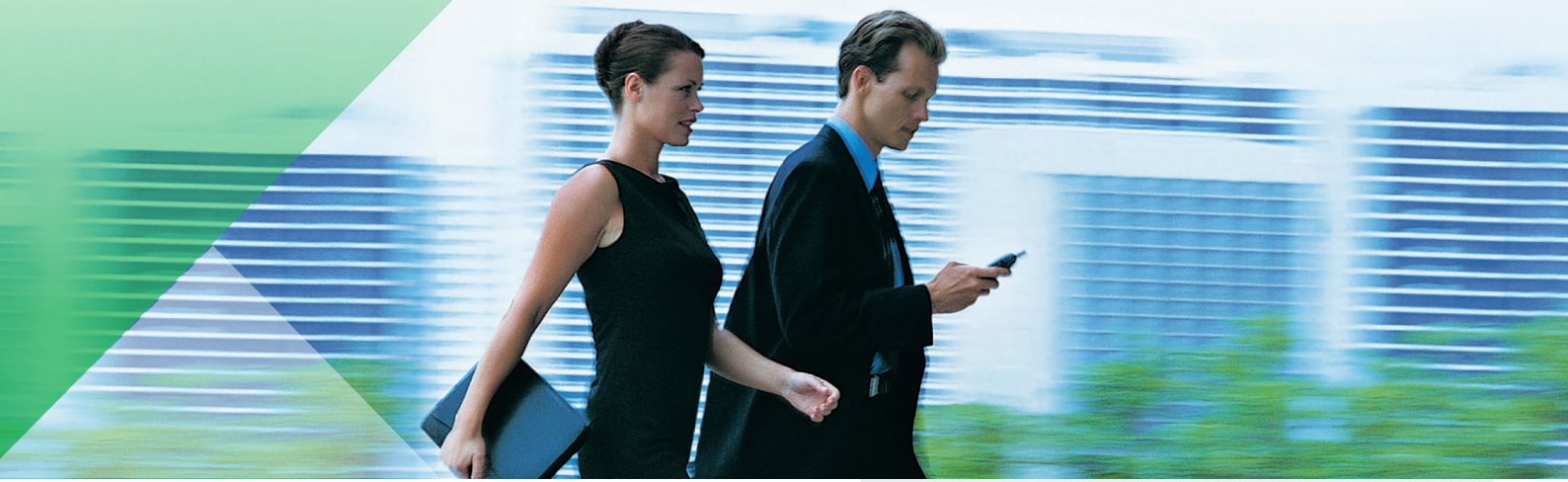
Power through complex print jobs with large, high-resolution photos and graphics. The powerful print controller has the processing power you need built-in.

Digital workflows and paper documents won't slow you down. The XC4150 scans up to 56 pages per minute, combined with the powerful quad-core processor, your information is captured and made available to you and your network applications fast.

Work from wherever, print where you want with mobile printing from iOS, Android and Windows Mobile devices, and optional wireless and NFC direct mobile printing from smartphones and tablets. The XC4150 is also Google Cloud Print, Apple Airprint 1.5 and Mopria ready.

Better access for all with the tilting eTask panel that makes the interface viewable for users at all heights, drawers and paper guides that move effortlessly, and standard headphone jack and talk-back features to help users with limited vision engage with the device*.

* Meets advanced Section 508 and European Standard EN 301 549 guidelines for accessibility, available June 2016



Look sharp for less with gorgeous colour and professional finishing

Colour so accurate and affordable, you can print colour in-house. You can match all of your brand colours and have accurate colour output without having to pay a premium. Lexmark Colour Replacement combines spot colour replacement and RGB replacement for precision matching of critical colours. PANTONE® calibration and embedded colour sample pages to help you nail perfect colour at the design stage. Lexmark Colour Replacement combines spot colour replacement and RGB replacement for precision matching of critical colours. Lexmark's 4800 colour quality is ultra-sharp even at full speed.

Less hands on hassle with a high input capacity with up to 2,300 sheets of input capacity, paper is less likely to run out, so you don't have to wait or intervene to finish printing.

Improve your productivity with the XC4150 that keeps on running

- ▶ Toner cartridges yield up to 20,000 pages¹
- ▶ Photoconductor lasts up to 150,000 pages⁶
- ▶ Developers and maintenance items run for up to 150,000 pages⁶
- ▶ No shake Unison™ Toner cartridges mean perfect prints to the last page without interruption

Advanced scanning technology

Connect your digital systems to your unstructured content with ease. The advanced scanning technology on the XC4150 makes it fast and hassle-free.

- ▶ Improve scanning productivity and capture efficiency by reducing the time involved in manual document preparation and automatically enhancing the quality of scanned images with the Lexmark VirtualReScan (VRS) integration option⁵
- ▶ Remove blank pages automatically with blank page detection and removal
- ▶ Scan a stack of mixed sized originals at full speed
- ▶ Keep things fast and file sizes small with colour detection that scans in mono if no colour is found
- ▶ Reduce file sizes and maintain information accuracy with Mixed Raster Content (MRC) file compression
- ▶ Achieve accurate, high resolution images with Charged Coupled Device (CCD) sensors and five-piece optical glass lenses
- ▶ Don't waste time restarting a job. Page-level jam recovery picks up where the job left off



⁵ Virtual ReScan integration with Lexmark TotalAgility

Workflow smoothing solutions

Bridge the gap between your paper documents and software systems with the fully-configurable device-based apps available on the Lexmark XC4150. The built in productivity solutions future-proof your investment.

Standard device-based apps shipping with this series include*:



AccuRead OCR

In less time than it takes to enter data manually, your organisation can create searchable files or editable content using the included AccuRead OCR. Other vendors charge extra for this critical capability.



Scan Centre

One app to send your scanned documents to multiple destinations simultaneously with optional delivery confirmations.



Forms and Favourites

Keep frequently used forms and documents easy to access and save money by eliminating preprinted forms.



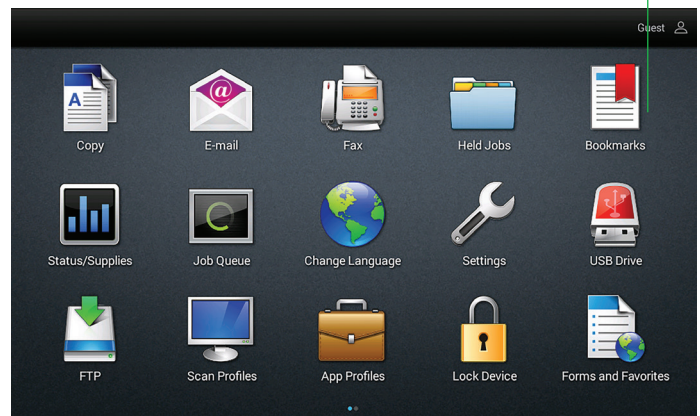
Card Copy

Capture both sides of ID/credit cards, print on one side of paper and save to a network folder.



Address Book

Manage the device's internally stored user data, contacts and scan destinations from the e-Task touch screen or the embedded web server.



See the possibilities with our intuitive interface

Minimise the need for training with the familiar modern tablet-like capabilities of our eTask interface on a bright (17.8 cm) 7-inch class colour touch screen. Use swipe and touch gestures to navigate the intuitive interface to access convenient features, including:

- ▶ Preview your entire print job
- ▶ Print Microsoft Office and other file types from USB or mobile devices
- ▶ Customisable shortcuts and bookmarks
- ▶ Realise your return on investment with true integration
- ▶ Access corporate address book for quick document routing
- ▶ Enable user tracking, accounting and permissions for cost and print management

*Additional device-based apps may ship with the device and additional apps can be added.

XC4150



1. Intuitive colour touch screen with new eTask interface

A bright 17.8 cm (7-inch) screen uses familiar swipe and touch gestures, minimising training time to get users up to speed.



2. Direct printing

Microsoft Office files and other document and image types print right from flash drives. You can even preview jobs on the eTask screen prior to printing.



3. Unison™ Toner system with long-life supplies

Unison™ Toner delivers consistently outstanding image quality plus long-life system reliability and amazing sustainability in a high-yield, no-shake design.



4. Software solutions

Combine eSF capabilities with additionally purchased Lexmark fleet management tools and your existing software and technical infrastructure to form the Lexmark smart MFP ecosystem. Its adaptability future-proofs your investment in Lexmark colour laser technology.



5. Expandable input

Print on multiple paper types and boost input capacity to 2,300 sheets

Sensitive data stays secure

Authorise and authenticate who and what gets access to your network along with remote monitoring and management.

Protect your device on all fronts with port and connection filtering to limit active access and encryption and wiping of the optional hard disk to secure sensitive print job data. Digital signatures on firmware updates keep hackers at bay.

Authentication to fit your protocols from badge readers, PIN or passwords. Once users are authenticated the connect to your network is fully secure. If user authentication fails the eTask panel shuts down to protect your device settings.

Put a stop to data leaks on the standard hard disk with 256-bit AES encryption and encryption keys stored in the MFP's memory, not the hard disk. Data is almost impossible to read if the hard drive is removed.

Cut costs while being environmentally responsible

Save power with multiple power saving modes. Sleep mode uses less than 3 watts between jobs. Hibernate mode uses less than half a watt during scheduled on/off periods.

Save paper and toner with no hassles. Standard double-sided printing, printing images a lighter shade with the ColourSaver feature that still leaves text dark and readable and Lexmark's Eco Copy solution are just some of the eco-friendly options.

Smarter toner saves energy and more. Lexmark Unison™ Toner fuses at a lower temperature that requires less energy. Through our free and easy Lexmark Cartridge Collection Programme (LCCP) ship empty cartridges back to our recycling centres for sustainable recycling.



Lexmark Sustainability

For Lexmark, commitment to the environment isn't a marketing tagline, it's a core value backed up by real action and results. We are forward thinking, innovative, and driven to sustain a healthy planet for generations to come. For our customers and partners we bring this passion, our leading technology and a deep understanding of industry-specific business processes to continuously improve their efficiency as well as our own.

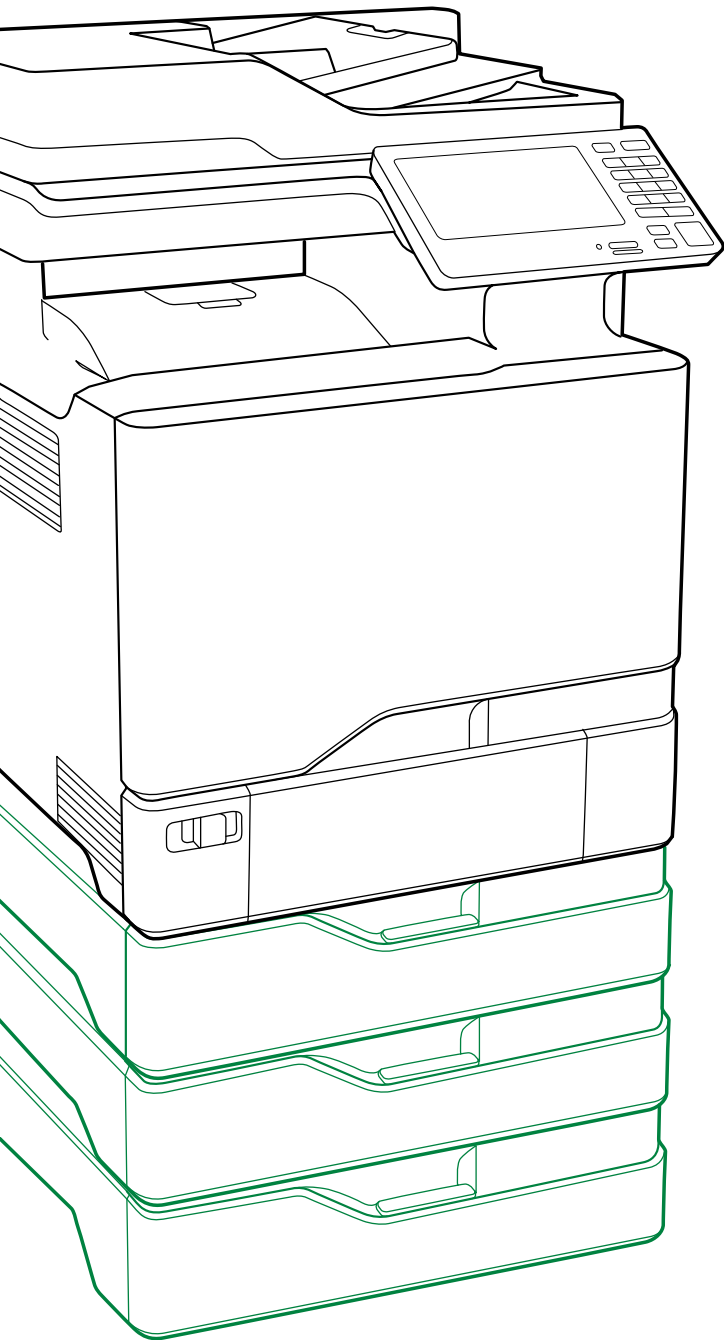
Lexmark products meet globally recognised environmental standards*.

- ▶ Energy Star™
- ▶ Blue Angel
- ▶ EPEAT™

For more information on Lexmark's sustainability initiatives, visit csr.lexmark.com

* Energy Star V2.0 for Imaging Equipment (EU RoHS and Section 4.3.1.1 of IEEE 1680.2-2).

Ordering information.

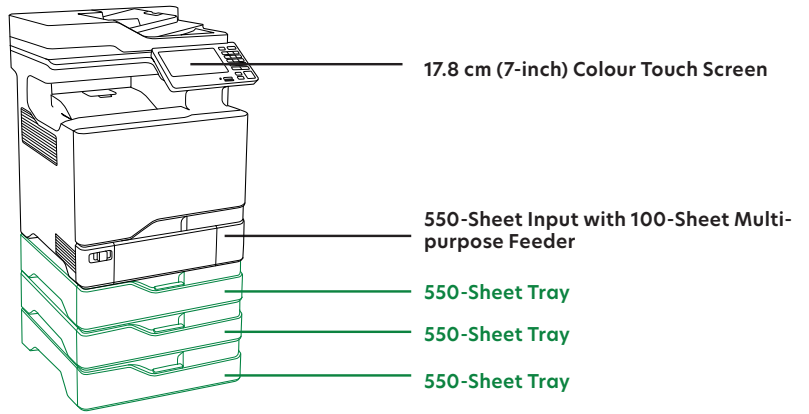
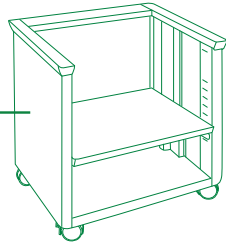


P/N 40C9604	Model Lexmark XC4150
P/N 24B6720 24B6717 24B6718 24B6719 74C0W00 74C0ZK0 74C0ZV0	Laser toner/print cartridge XC4150 Black Toner Cartridge XC4150 Cyan Toner Cartridge XC4150 Magenta Toner Cartridge XC4150 Yellow Toner Cartridge Waste Toner Bottle CS720, CS725, CX725 Black Return Programme Imaging Unit CS720, CS725, CX725 Colour (CMY) Return Program Imaging Kit
P/N 40C2100	Paper handling 550-Sheet Tray
P/N 57X9020 57X9801	Memory options 2GB DDR3, G2, 512Mx32, 204 SODIMM 256MB User Flash Memory
P/N 27X0400	Hard Disk Hard Disk Drive
P/N 40C2300	Furniture Adjustable Stand
P/N 40C9200 40C9201 40C9202	Firmware Cards Forms and Bar Code Card IPDS Card PRESCRIBE Card
P/N 57X9110 57X9112 57X9114 57X9115	Font Cards Traditional Chinese Font Card Simplified Chinese Font Card Korean Font Card Japanese Font Card
P/N 27X0803	Internal Print Server MarkNet 8360 Wireless
P/N 14F0100 14F0000	Local Interface Cards RS-232C Serial Interface Card2 Parallel 1284-B Interface Card2
P/N 57X0085	Security Security Module
P/N 1021231 1021294	Cables 10-Foot Parallel Printer Cable 2-metre USB Printer Cable
P/N SPD0002	Connectivity / Accessories Surge Protection Device 230V

Lexmark XC4150

Adjustable
Printer Stand

■ Standard
■ Optional



Product specifications	Lexmark XC4150
Printing	
Display	Lexmark e-Task 17.8 cm (7-inch) colour touch screen
Print Speed: Up to ⁵	Black: 47 ppm / Colour: 47 ppm
Time to First Page: As fast as / Time to First Page: as fast as	Black: 5.0 seconds / Colour: 5.5 seconds
Print Resolution	Black: 1200 x 1200 dpi, 4800 Colour Quality (2400 x 600 dpi) / Colour: 1200 x 1200 dpi, 4800 Colour Quality (2400 x 600 dpi)
Memory	standard: 2048 MB / maximum: 4096 MB
Hard Disk	as standard
Recommended Monthly Page Volume ²	2,000 - 20,000 Pages
Maximum Monthly Duty Cycle: Up to ³	150,000 pages per month
Copying	
Copy Speed: Up to ⁵	Black: 47 cpm / Colour: 47 cpm
Time to First Copy: As fast as / Time to First Copy: as fast as	black: 6.5 seconds / colour: 7.0 seconds
Scanning	
Scanner Type / ADF Scan	Flatbed scanner with ADF / RADF (reversing Duplex)
A4/Ltr Duplex Scan Speed: Up to	Mono: 26 / 28 sides per minute / Colour: 26 / 28 sides per minute
A4/Ltr Simplex Scan Speed: Up to	Mono: 56 / 60 sides per minute / Colour: 56 / 60 sides per minute
Faxing	
Modem Speed	ITU T.30, V.34 Half-Duplex, 33.6 Kbps
Supplies⁷	
Laser Cartridge Yields (up to) ¹	20,000-page Black High Yield Cartridge, 13,000-page Colour (CMY) High Yield Cartridges
Imaging Unit Estimated Yield: Up to / Photoconductor Estimated Yield: Up to ⁶	150,000 pages, based on 3 average letter/A4-size pages per print job and ~ 5% coverage / 150,000 pages, based on 3 average letter/A4-size pages per print job and ~ 5% coverage
Cartridge(s) Shipping with Product ⁸	7,000-page Black and Colour (CMYK) Return Programme Toner Cartridges
Paper Handling	
Included Paper Handling	550-Sheet Input, 100-Sheet Multipurpose Feeder, Integrated Duplex, 300-Sheet Output Bin
Optional Paper Handling	550-Sheet Tray
Paper Input Capacity: Up to	Standard: 650 pages 75 gsm bond / Maximum: 2,300 pages 75 gsm bond
Paper Output Capacity: Up to	Standard: 300 pages 75 gsm bond / Maximum: 300 pages 75 gsm bond
Media Types Supported	Card Stock, Envelopes, Paper Labels, Plain Paper, Vinyl Labels, Refer to the Card Stock & Label Guide., Banner Paper
Media Sizes Supported	10 Envelope, 7 3/4 Envelope, 9 Envelope, A4, A5, B5 Envelope, C5 Envelope, DL Envelope, Executive, Folio, JIS-B5, Legal, Letter, Statement, Universal, Oficio, A6
General Information⁴	
Standard Ports	One Internal Card Slot, USB 2.0 Specification Hi-Speed Certified (Type B), Gigabit Ethernet (10/100/1000), Front USB 2.0 Specification Hi-Speed Certified port (Type A), Rear Hi-Speed USB port Compatible with USB 2.0 Specification (Type A)
Optional Network Ports	Internal MarkNet N8360 802.11b/g/n Wireless, NFC
Noise Level: Operating	Print: 53 dBA / Copy: 56 dBA / Scan: 53 dBA
Specified Operating Environment	Humidity: 8 to 80% Relative Humidity, Temperature: 10 to 32°C, Altitude: 0 - 2,896 Metres (9,500 Feet)
Size (mm - H x W x D) / Weight	648 x 505 x 533 mm / 44.9 kg

¹Average yield at approximately 5% print coverage per colour. ²Recommended Monthly Page Volume" is a range of pages that helps customers evaluate Lexmark's product offerings based on the average number of pages customers plan to print on the device each month. Lexmark recommends that the number of pages per month be within the stated range for optimum device performance, based on factors including: supplies replacement intervals, paper loading intervals, speed, and typical customer usage. ³Maximum Monthly Duty Cycle" is defined as the maximum number of pages a device could deliver in a month using a multishift operation. This metric provides a comparison of robustness in relation to other Lexmark printers and MFPS. ⁴Printers are sold subject to certain license/agreement conditions. See www.lexmark.com/printerlicense for details. ⁵Print and copy speeds measured in accordance with ISO/IEC 24734 and ISO/IEC 24735 respectively (ESAT). For more information see: www.lexmark.com/ISOspeeds. ⁶Actual yield may vary based on other factors such as device speed, paper size and feed orientation, toner coverage, tray source, percentage of black-only printing and average print job complexity. ⁷Product functions only with replacement cartridges designed for use in a specific geographical region. See www.lexmark.com/regions for more details. ⁸ Average continuous black or continuous composite CMY declared cartridge yield up to this number of standard pages in accordance with ISO/IEC 19798.